

Specification

Description	Unit	BNC-3000	BNC-3500	BNC-4000
Capacity				
Swing in gap	mm	1020	1150	1280
Swing over bed	mm	760	890	1020
Swing over cross slide	mm	420	550	680
Max. turning length (with turret)	mm	2000/3000/4000/5000/6000		
Hole through with hycl. chuck(option)	mm	91mm for 106 bore		
Gap length from spindle nose surface	mm	372		
Max. work piece weight(with tailstock)	kg	3000		
Travel				
X axis	mm	455	455	550
Z axis	mm	2200/3200/4200/5200/6200		
Spindle				
Speed range(NN bearings)	rpm	15-1480(106mm/153mm bore)		
Speed range(Taper roller bearings)	rpm	10-800(230mm bore), 10-650(254mm bore), 10-500(305mm bore)		
Suitable chuck size(option)	mm	305(106mm bore), 406(153mm bore or bigger)		
Spindle nose	mm	A1-11(106mm bore), A2-11(153 bore), A2-15(230/254mm bore), A2-20(305mm bore)		
Spindle hole diameter	mm	106(standard), 153, 230, 254 & 305(option)		
Motor power	KW	22/33(standard)		
Max. torque	kgm	273.67(standard)		
Turret(option)				
Number of tool stations(VDI50)		8		
Tool allowance(VDI50)	mm	32		
Tool shank	mm	50		
Feed rate				
X axis rapid traverse	M/min.	10		
Z axis rapid traverse	M/min.	12		
Jog feed	M/min.	3		
Accuracy				
Positioning	mm	0.015		
Repeatability	mm	0.01		
Slide				
Bed width	mm	560		
Cross slide guide width	mm	300		
Feed motor				
X axis power	NM	11.9		
Z axis power	NM	20.8(shorter 4M length) / 27.3 (5M length and longer)		
Ball screw				
X axis	mm	40		
Z axis	mm	63(shorter 3M length), 80 (4M length and longer)		
Tailstock				
Quill stroke	mm	230		
Quill diameter	mm	125		
Quill inside taper	MT	6		
Coolant				
Pump motor	W/bar	750/1.7(50Hz) or 2.3(60Hz)		
Pump capacity	L/min.	17		
Pump pressure	kg/cm ²	3.5		
Lubrication				
Pump motor	W	12		
Pump capacity	W	130		
Dimension				
Length	mm	4900/5900/6900/7900/8900		
Width	mm	2630	2630	2800
Height	mm	2220	2220	2285
Weight	Kg	10000/11000/12000/13000/14000	10500/11500/12500/13500/14500	11000/12000/13000/14000/15000

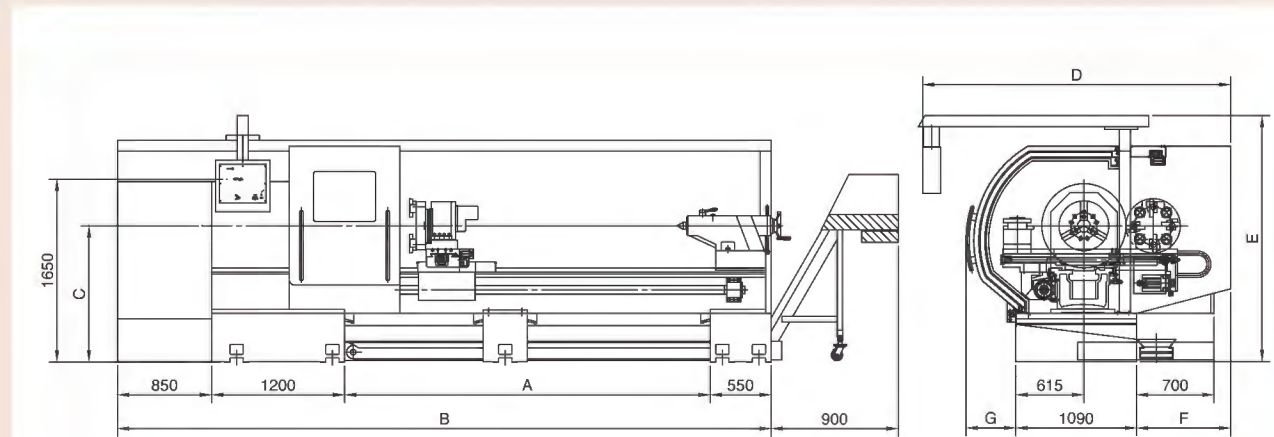
*Specification subjects to change without notice

Standard accessories:

- Tailstock with interlock device with carriage
- Gap bed
- 22/33 Kw spindle motor
- CNC control Fagor 8055
- A traveling front guarding system
- Coolant system
- Lubrication system
- 63mm ball screw for 2/3 meters (Z axis)
- 80mm ball screw for 4/5/6 meters (Z axis)
- Operation manual & parts list
- Levelling bolts and pads
- CE declaration
- Low volt control system
- Portable MPG
- Top travelling panel

Optional accessories:

- Steady rest(roller type)
- Follow rest(bronze type)
- 3-jaw chuck
- Auto. V turret
- Electric 4 way tool post
- C-axis and power turret
- Joy sticker
- EMC
- Extra I/O board for additional functions
- Chip conveyor and wash down device



MODEL	A	B	C	D	E	F	G
BNC-3080/3580	2300	4900					
BNC-30120/35120	3300	5900					
BNC-30160/35160	4300	6900	1230 (BNC-30)	1295 (BNC-35)	2630	2220	700 450
BNC-30200/35200	5300	7900					
BNC-30240/35240	6300	8900					
BNC-4080	2300	4900					
BNC-40120	3300	5900					
BNC-40160	4300	6900	1355	2800	2285	850	485
BNC-40200	5300	7900					
BNC-40240	6300	8900					

Challenger

Microcut

Heavy duty CNC lathe

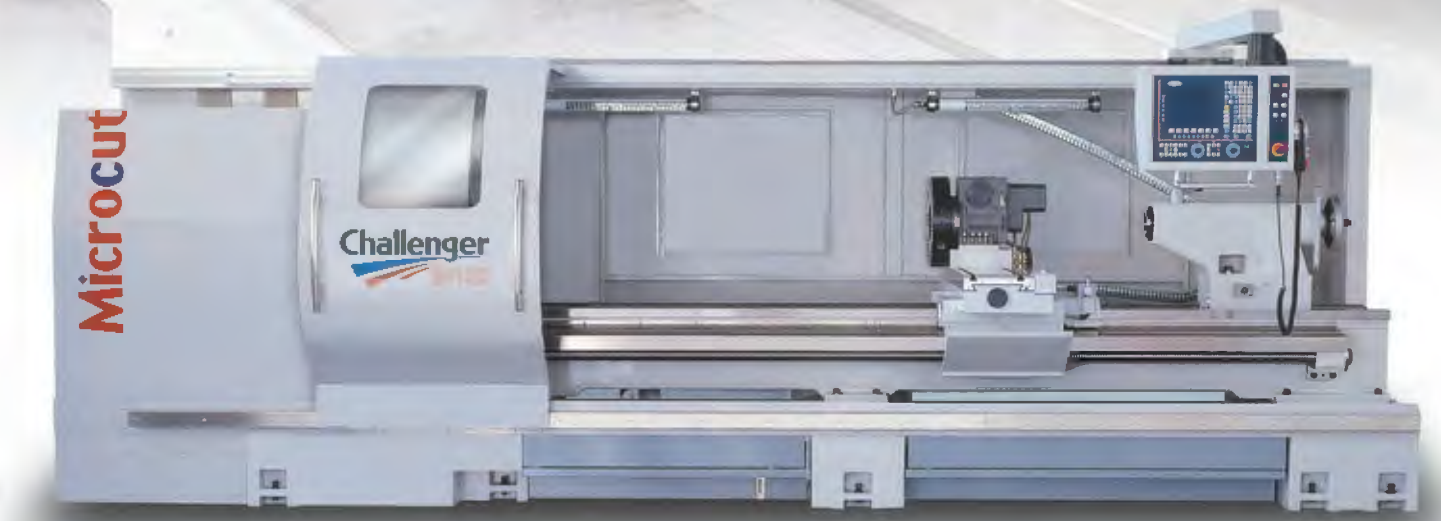


photo shown BNC-30120